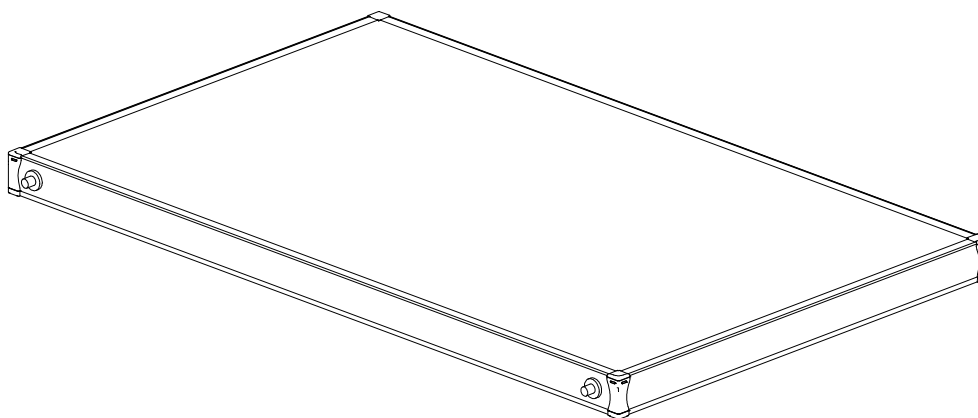


Flat plate collector K416-TS1

Technical data

| | |
|---------------------------------|---|
| Type of construction | Flat plate collector for thermo-syphon systems for on-roof, flat-roof and facade mounting |
| Absorber type | KBB absorber with Al-sheet and Cu-tubes, Absorber with 6 harp tubes $\varnothing 15\text{mm}$ and 2 manifolds $\varnothing 22\text{mm}$ |
| Measurement (L / W / H) | 1568 / 1058 / 75 mm |
| Gross area | 1.66 m ² |
| Aperture area | 1.53 m ² |
| Absorber area (net) | 1.53 m ² |
| Total Weight dry | 26 kg |
| Liquid content | 2.1 l |
| *Efficiency η_0 | 76 %, related to the aperture area |
| *Heat loss coefficient a1 | 3.95 W / (m ² x K) |
| *Heat loss coefficient a2 | 0.015 W / (m ² x K ²) |
| *Heat loss coefficient a40 | 4.55 W / (m ² x K ²) |
| Absorber coating | Highly selective on Aluminium |
| Absorptance / Emittance | 95 % / 5% |
| Covering | Low iron, structured, solar safety glass (ESG) |
| Transmission of covering | >91 % |
| Impact resistance of covering | Cover meets the requirements of the optional impact resistance tests following EN12975-2 |
| Collector connection | 4 connectors $\varnothing 22$ mm for compression fittings |
| Max operation pressure | 10 bar |
| Heat insulation | Mineral wool 30 mm |
| Collector case | Aluminium frame, powder coated |
| Angle of inclination | 15 – 90° |
| Permissible wind and snow load | 3 kN/m ² suction, 3 kN/m ² pressure |
| Recommended heat transfer fluid | Antifreeze mix based on propylene-glycol |
| Guarantee | 10 years for functionality and weathering resistance |



(* data calculated from tested similar collector type K420 LC)